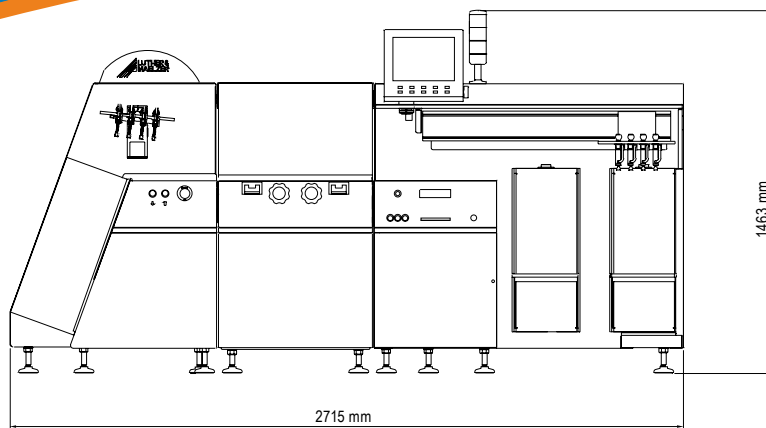
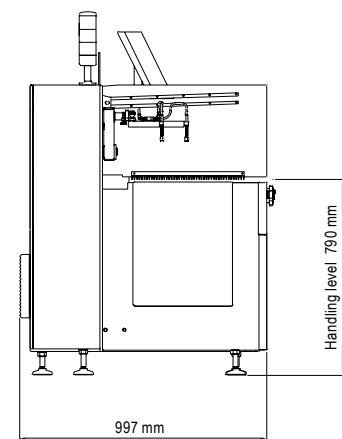


LM400 Picomat II Technical Specifications

Grid Test System



Front View



Side View

Test Field Size

Maximum (X x Y) 244 x 325 mm / 9.6" x 12.8"
(smaller field sizes available upon request)

Board Handling

Minimum board size (X x Y) 50 x 50 mm / 1.97" x 1.97"
Maximum board size (X x Y) 284 x 365 mm / 11.2" x 14.4"
Minimum board thickness
- manual testing 0.1 mm / 0.0039"
- automatic testing 0.6 mm / 0.023"
Maximum board thickness 8 mm / 0.315"

Test Points

(1 mil = 1/1000 inch = 0.025 mm)
In 70 mil (200 test points / inch²) one side / both sides
24,576 / 49,152
50 mil (400 test points / inch²) 49,152 / 98,304

Test Parameters

Test Voltage 40 V to 250 VDC
Continuity Threshold 10 Ω to 10 kΩ
Isolation Threshold 100 kΩ to 100 MΩ
Embedded Resistor Measurement 1 Ω to 10 kΩ

Data Preparation

External generation of drill-files, test-files and object files for fault location is done in ADAM II

Required data formats for data preparation:

Gerber
Extended Gerber
IPC-D-356A
.dpf-data
ODB++
Mask & drill data

Fault Location

Fault location and verification is done in CAR II or on an atg flying prober

Options

- Retractable guide rails
- 4-wire measurement 10 mΩ to 100 Ω
- Board thickness control
- PCB offset detection module SNIPER including feedback frames

Power supply

AC 400 V [3 / N/ PE AC 400 V] 50 /60 Hz

Compressed air

Connecting pressure 8 bar to 10 bar

Temperature

18 °C to 27 °C

Relative humidity

40 % to 60 %

Machine weight

About 1000 kg / 2204 lbs

All information subject to change without notice!
September 2012